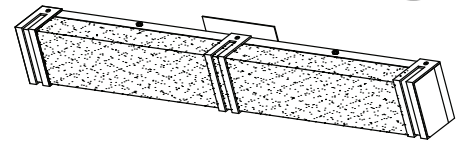




Assembly and Installation Instructions for Model's

20015/16



CAUTION - RISK OF FIRE

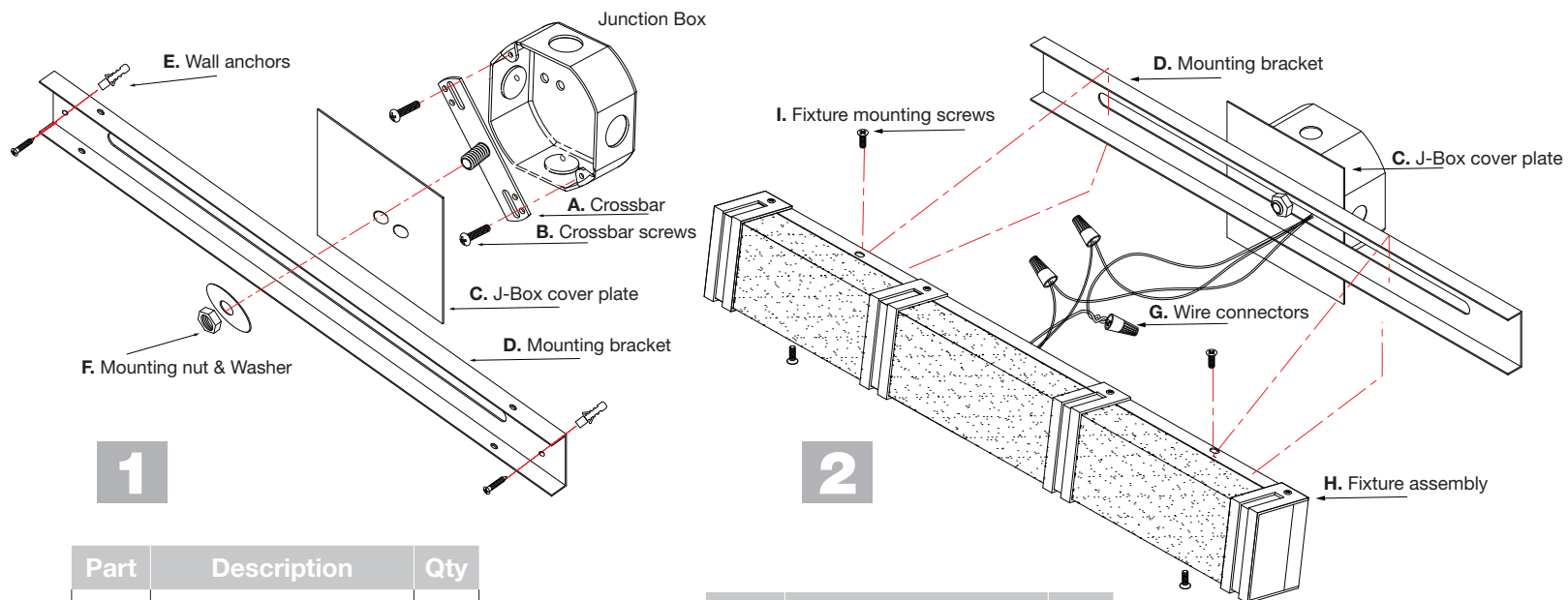
Installation of this fixture should be done by a licensed electrician or by a person familiar with local electrical codes and the construction and operation of this fixture.

Warning please make sure the electrical breaker is shut off before commencing with this installation

Read and familiarize yourself with these instructions before commencing

This fixture is certified for wall mounting only and is suitable for Damp locations and dimmable with a Triac Dimmer

The fixture uses a 120v A/C LED panel which is supplied with a clear glass cover plate, no driver required



Part	Description	Qty
A	Crossbar	1
B	Crossbar screws	2
C	J-box cover plate	1
D	Mounting bracket	1
E	Wall anchors and screws	2

Part	Description	Qty
F	Mounting nut & washer	1
G	Wire connectors	3
H	Fixture assembly	1
I	Fixture mounting screws	4

Installing the fixture *please ensure the electrical breaker is switched off before commencing*

- Attach the supplied mounting bracket (**A**) with the two supplied mounting bolts (**B**) to a J-Box, not supplied with the threaded rod facing forward then place the C,, then attach the J-box cover plate making sure the electrical supply wires from the J-Box are inserted through the side hole of the cover plate.
- This fixture is compliant for off-set J-boxes, position the (**D**) Mounting bracket over the threaded rod and slide into the position required. At end of the Mounting bracket there are holes for the (**E**) Wall anchors. Mark with a pencil where the holes need to be drilled and remove the Mounting bracket. Drill and insert the Wall Anchors and reattach the Mounting bracket and secure with the Wall anchor screws at each end and (**F**) the Mounting nut and washer in the center of the fixture.
- Connect the supply wires to the fixture wires using the supplied electrical wire connectors (**G**). White supply wire to the White fixture wire, Black supply wire to Black fixture wire and the ground Bare Copper or Green wire to the Green fixture wire. Once the electrical wire connectors are securely fastened it is recommended to tape these connectors with electrical tape.
- Attach the fixture assembly (**H**) to the mounting bracket (**D**) and secure with supplied Fixture mounting screws (**I**).
- Switch on the electrical breaker switch and your new fixture is ready for many years of trouble free use